



GLOBE FAN

GLOBEFAN TECHNOLOGY CO., LTD.

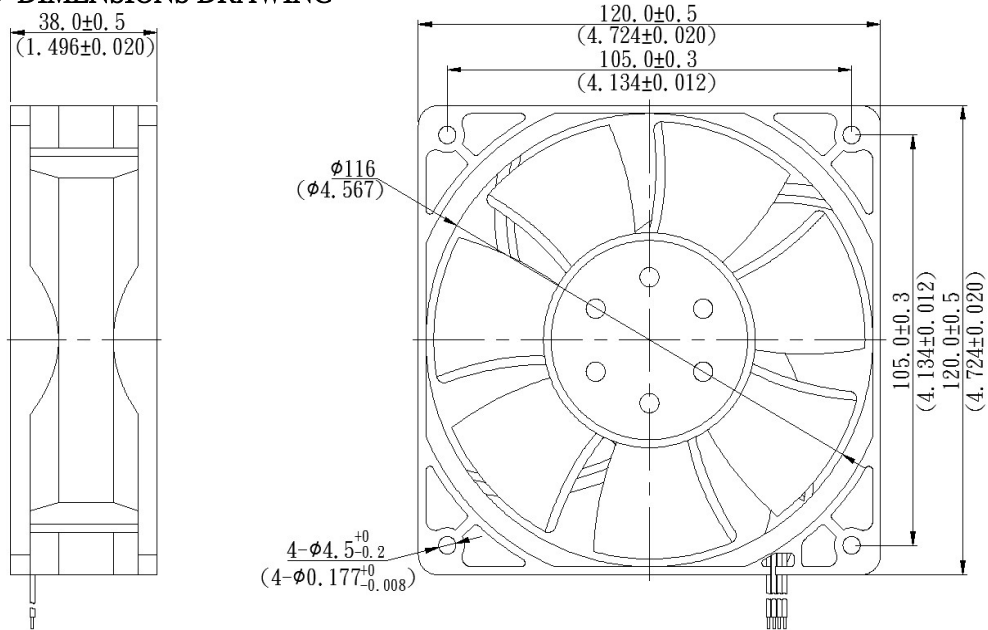
No. 28, 3 Lane Zhongxinjin Road, Jin Industry District Shoei Koo Village,

Da Laang Town, Dungguan City, Guangdong Province, China

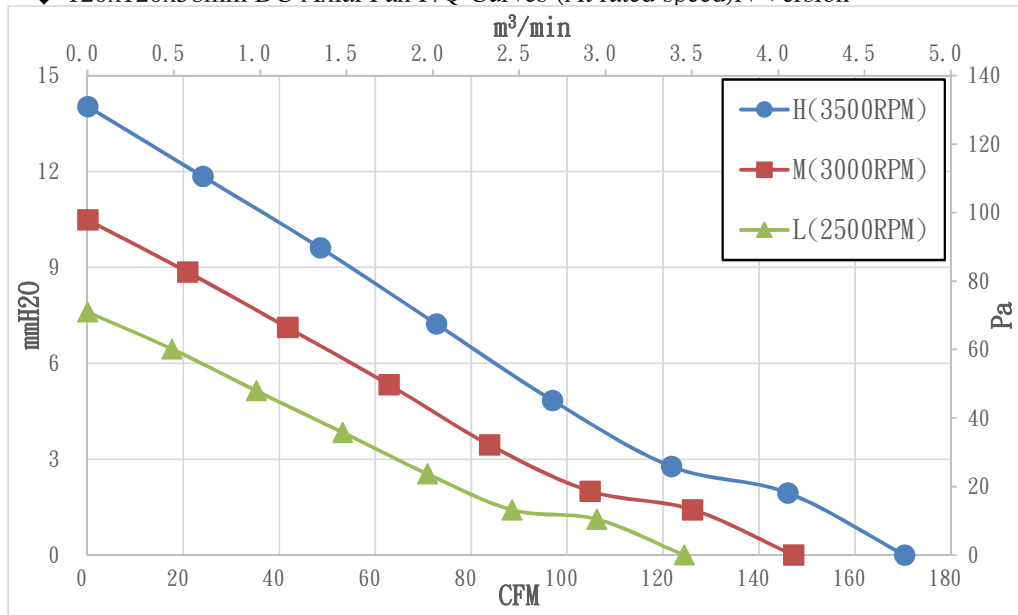
Tel : +86 769 83182898~9

Fax : +86 769 83182897

◆ DIMENSIONS DRAWING



◆ 120x120x38mm DC Axial Fan P/Q Curves (At rated speed)N Version



* BEARING TYPE

- Ball bearing

* Electrical Function

- Frequency Generator Output Signal
- RD (Lock Detection) Output Signal
- PWM (Pulse Width Modulation)

* Material

Impeller: Plastic (PBT 30%GF)
Frame : Plastic (PBT 30%GF)

* Lead wires

UL1007 24AWG or Equivalent
Black Wire Negative (-)
Red or Yellow Wire Positive (+)
White Wire Signal (FG)
Blue Wire (PWM)

* Weight :286g (10.09 oz)

MODEL	Operating Voltage Range	Rated Voltage	Rated Current	Rated Input Power	Speed	Maximum Air Flow		Maximum Air Pressure		Noise
Part No.	VDC	VDC	Amp	Watts	R.P.M	m ³ /min	CFM	mmH ₂ O	Pa	dB(A)
B1203812HP-4M	7V ~14V	12	1.80	21.6	3500±10%	4.82	170.30	14.04	137.69	53.2
B1203812MP-4M	7V ~14V	12	1.50	18.0	3000±10%	4.17	147.20	10.48	102.77	49.1
B1203812LP-4M	7V ~14V	12	1.20	14.4	2500±10%	3.52	124.40	7.60	74.53	43.1
B1203824HP-4M	12V ~30V	24	1.00	24.0	3500±10%	4.82	170.30	14.04	137.69	53.2
B1203824MP-4M	12V ~30V	24	0.85	20.4	3000±10%	4.17	147.20	10.48	102.77	49.1
B1203824LP-4M	12V ~30V	24	0.70	16.8	2500±10%	3.52	124.40	7.60	74.53	43.1
B1203848HP-4M	24V ~55V	48	0.70	33.6	3500±10%	4.82	170.30	14.04	137.69	53.2
B1203848MP-4M	24V ~55V	48	0.60	28.8	3000±10%	4.17	147.20	10.48	102.77	49.1
B1203848LP-4M	24V ~55V	48	0.50	24.0	2500±10%	3.52	124.40	7.60	74.53	43.1

* Function type is optional.

* The max. air flow and speed are measured in free air; max. air pressure is measured at close to zero air flow.

* Noise is measured in anechoic chamber in free air, one meter from intake side.

* All readings are typical values at rated voltage.

* Specifications are subject to change without notice.