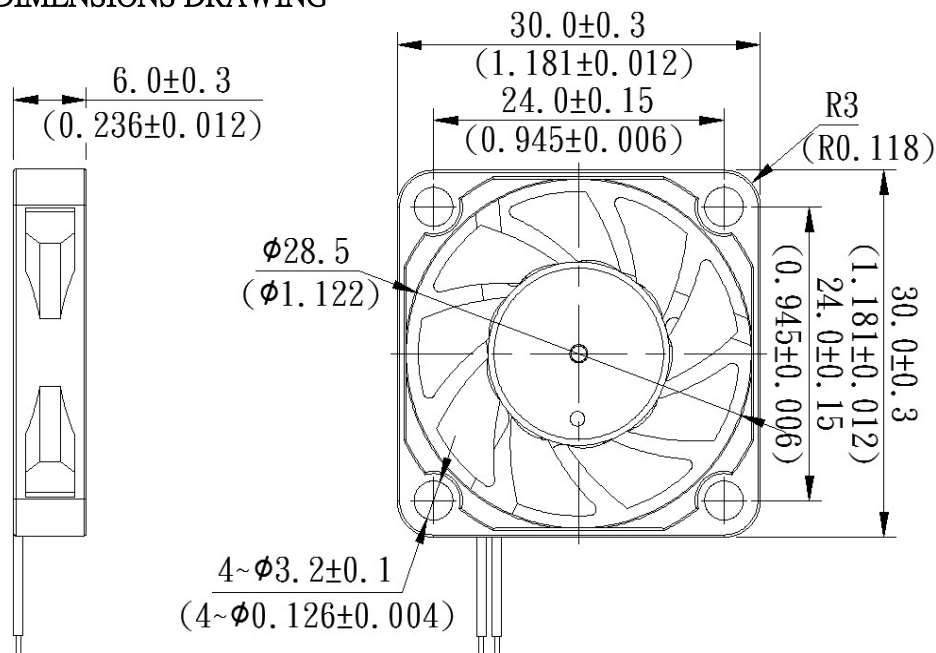
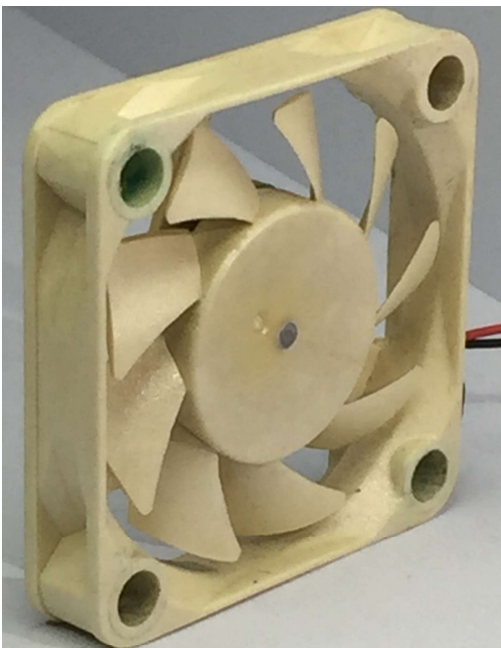




GLOBEFAN TECHNOLOGY CO., LTD.

No. 28, 3 Lane Zhongxinjin Road, Jin Industry District Shoei Koou Village,
 Da Laang Town, Dungenan City, Guangdong Province, China
 Tel : +86 769 83182898~9 Fax : +86 769 83182897

◆ DIMENSIONS DRAWING



* BEARING TYPE

- Sleeve bearing

* Electrical Function

- PWM (Pulse Width Modulation)
- Frequency Generator Output Signal
- RD (Lock Detection) Output Signal

* Material

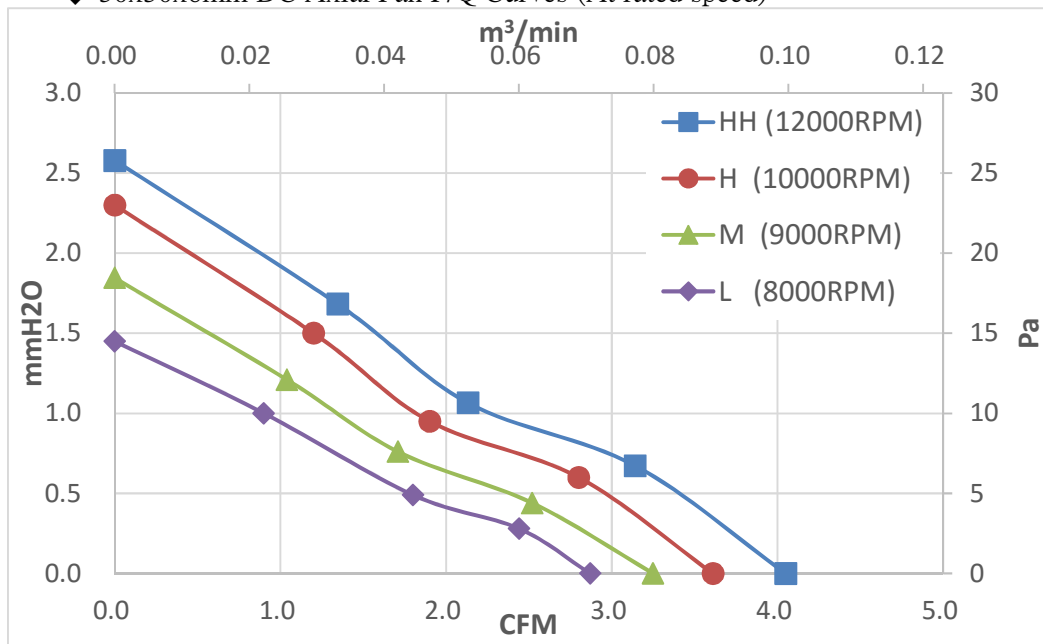
Impeller: Plastic (LCP E130i)
 Frame : Plastic (LCP E130i)

* Lead wires

UL3302 32AWG or Equivalent
 Red or Yellow Wire Positive (+)
 Black Wire Negative (-)
 Green Wire Signal (FG)
 Blue Wire PWM Control Signal

* Weight : 3.6g (0.13 oz)

◆ 30x30x6mm DC Axial Fan P/Q Curves (At rated speed)



MODEL	Operating Voltage Range	Rated Voltage	Rated Current	Rated Input Power	Speed	Maximum Air Flow		Maximum Air Pressure		Noise
Part No.	VDC	VDC	Amp	Watts	R.P.M	m ³ /min	CFM	mmH ₂ O	Pa	dB(A)
TA0LS030612HH	4V ~ 13.8V	12	0.24	2.9	12000±10%	0.11	4.05	2.58	25.30	32.6
TA0LS030612H	4V ~ 13.8V	12	0.20	2.4	10000±10%	0.10	3.61	2.30	22.56	25.8
TA0LS030612M	5V ~ 13.8V	12	0.16	1.9	9000±10%	0.09	3.25	1.85	18.09	24.6
TA0LS030612L	6V ~ 13.8V	12	0.12	1.4	8000±10%	0.08	2.87	1.45	14.22	21.4

* Function type is optional.
 * The max. air flow and speed are measured in free air; max. air pressure is measured at close to zero air flow.
 * Noise is measured in anechoic chamber in free air, one meter from intake side.
 * All readings are typical values at rated voltage.
 * Specifications are subject to change without notice.