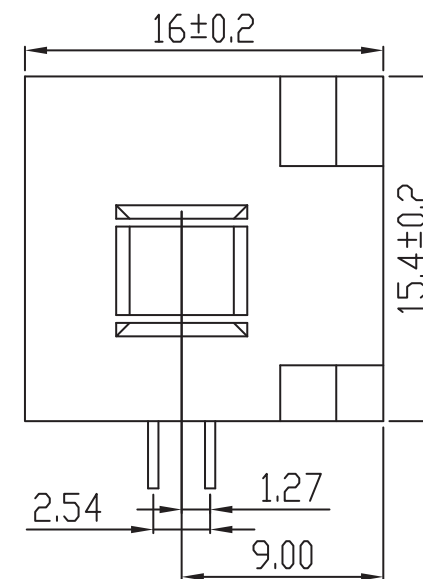
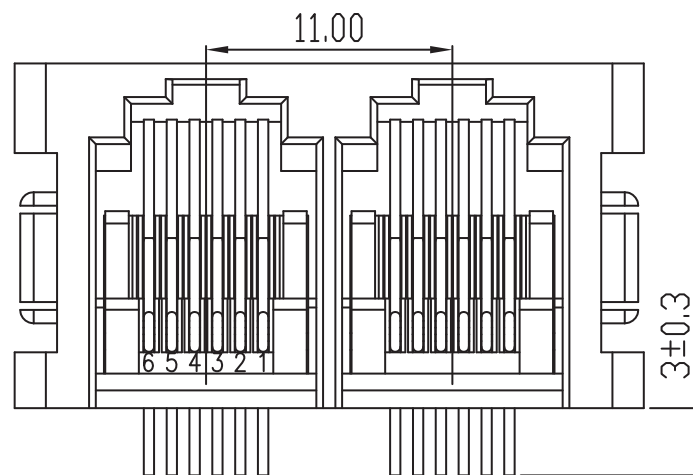
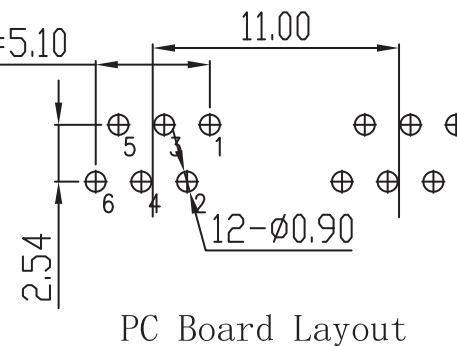
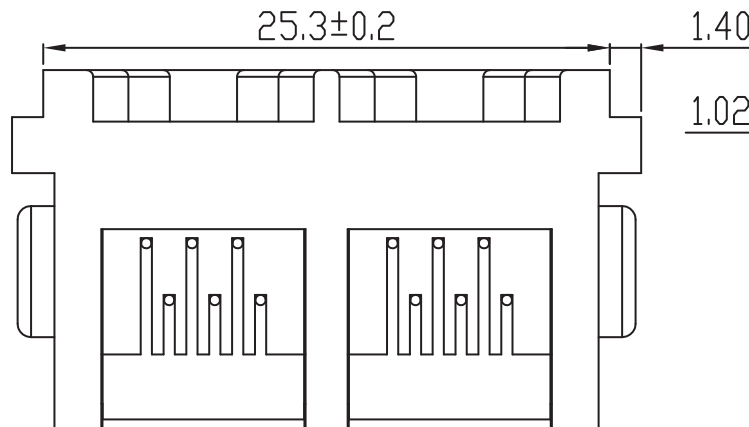
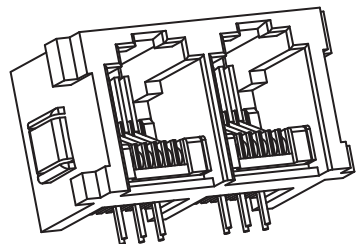


RoHS



NOTES:

ELECTRICAL:

1. VOLTAGE RATING: 125V AC.
2. CURRENT RATING: 1.5A.
3. CONTACT RESISTANCE: 30 mΩ MAX.
4. INSULATION RESISTANCE: 500 MΩ MIN @ 500V DC.
5. DIELECTRIC STRENGTH: 1000V AC 50Hz or 60Hz, 1MIN.

MECHANICAL:

1. INSERT MATERIAL: UL94V-0.
2. CONTACT MATERIAL: DIAMETER 0.46mm C51000(QSn4-0.3) PHOSPHOR BRONZE GOLD PLATING OVER NICKEL.
3. MATING/UNMATING FORCE: 2.2KG. F MAX.
4. RETENTION STRENGTH: 5.0KG. F MIN BETWEEN JACK AND PLUG.
5. OPERATING LIFE: 750 CYCLES MIN.

ENVIRONMENTAL:

1. STORAGE: -40°C ~ +85°C RELATIVE HUMIDITY<70%.
2. OPERATION: -40°C ~ +85°C.

Se Seconn International Enterprise Co., Ltd.

TOLERANCES			PROJECTION	TITLE			
x.	= ± ----			RJ11 Jack Connector 1x2 6P6C 90 Deg			
x.x	= ± 0.25						
x.xx	= ± 0.20						
x.xxx	= ± 0.10		UNIT				
			mm				
DRAWN	WangB	DATE	2016/10/10	PART NO.	JAKR-S5225-6P6C-1x2-90		
SCALE	1:1	SIZE	A4	SHEET	1/1	REV	A1